

QDDC-20-520-50-50-S

0.02~0.52GHz, 50W, 50dB

Features:

* Low Insertion Loss

Applications:

- * Amplifiers
- * Transmitter
- * Laboratory Test
- * Radar

Electrical

Frequency:	0.02~0.52GHz
Insertion Loss:	0.35dB max.
VSWR:	1.25 max.
Directivity:	20dB min.
Frequency Sensitivity:	±0.6dB
Coupling:	50±1dB
Average Power:	50W
Impedance:	50Ω

Mechanical

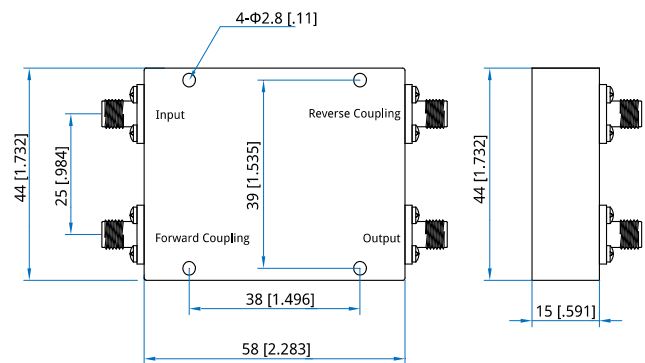
Size ^{*1} :	58*44*15mm 2.283*1.732*0.591in
Connectors:	SMA Female
Mounting:	4-Φ2.8mm through-hole

[1] Exclude connectors

Environmental

Operation Temperature:	-45~+85°C
------------------------	-----------

Outline Drawings



Unit: mm [in]

Tolerance: ±0.2mm [±0.008in]

How To Order

QDDC-20-520-50-50-S

Customization is available upon request.